

ASSEMBLY INSTRUCTION

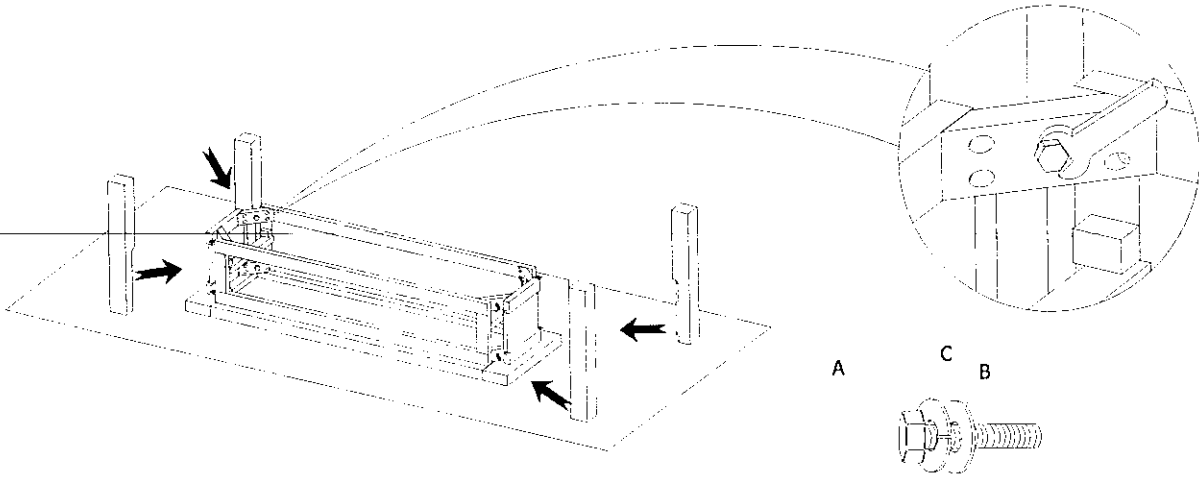
ITEM : Coffee table

CODE : SAL - 004

- STEP 1

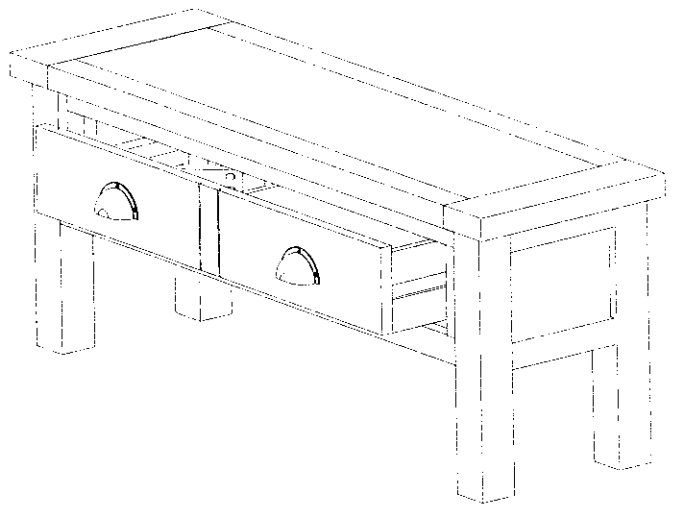
-Remove the drawer

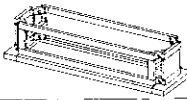


-Attached the four legs to the table top by using the Wrench (D) to tighten the washers (B), Spring washer (C) and the bolts (A).







- STEP 3

Insert the drawer to its place.



| <u>Component List</u> | | <u>Q'ty</u> |
|-----------------------|---|-------------|
| A |  - Table top | 1 |
| B |  - Drawer | 1 |
| C |  - Leg | 4 |

| <u>Hardware list</u> | | <u>Q'ty</u> |
|----------------------|--|-------------|
| A |  - Bolt M8x60 | 8 |
| B |  - Washer | 8 |
| C |  - Springwasher | 8 |
| D |  - Wrench | 1 |